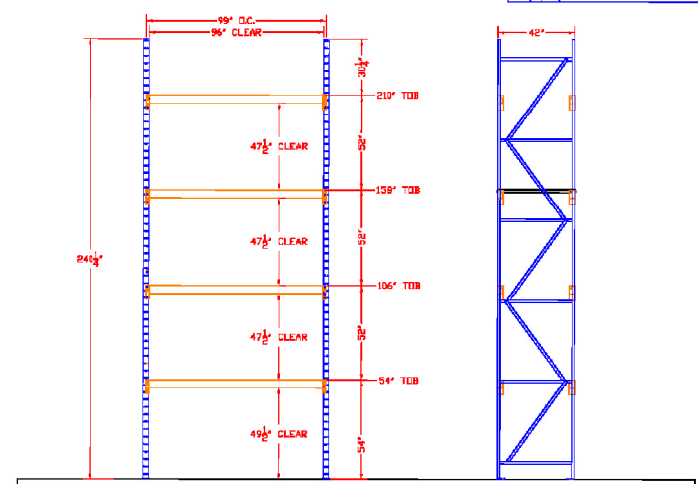
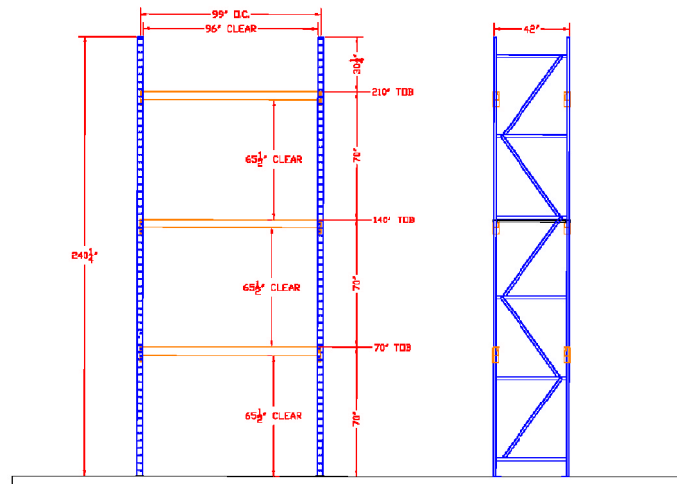


DISPLAY RACK
#1



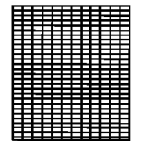
SAMPLE RACK
#2



SHIPPING BOX RACK
#3

BILL OF MATERIALS

ITEM	QTY	DESCRIPTION	WT. #
------	-----	-------------	-------



WIRE DECK

STORAGERACK.NET	MISC RACK ELEVATION VIEWS
-----------------	---------------------------

copyright 09 srn